

XVIEW

XV9M USER MANUAL



For more information
on the Xview range go
to our website

xviewdrive.com.au 

INCLUSIONS:

Mirror Monitor, Rear Camera, Camera Lead With Trigger Wire,
USB Cable, 12/24V Car Charger & Mounting Hardware

1. PRODUCT FEATURES AND SPECIFICATIONS

Thank you for purchasing the Xview XV9M Mirror Monitor. This product is a convenient and durable traveling video and data recorder. Please ensure that you have read the product manual and instructions in full, prior to installation and use. Failure to do so may result in product failure/damage or incorrect operation and therefore impact the product performance.

- 9.35" High-resolution LCD touch screen mirror monitor
- Rear camera input
- HD video recording 1920*1080 @ 25 FPS
- 110 Degree wide angle lens surface mount butterfly camera
- Reverse camera functionality
- Live streaming functionality
- Parking guide lines
- G-Sensor, Loop recording
- 400mAh 3.7V Rechargeable battery
- Seamless cycle loop recording
- Rubber clip-on mount
- Supports Micro SD card class10 up to 128GB
- 12/24V DC car adapter (3.5M length)
- USB2.0 DC5V 2A
- Camera lead 6.5M length
- Dimensions 72(H) x 18(W) x 260mm(L)

ATTENTION: The Mirror Monitor must be connected to power when in use. The internal battery only holds date and time settings.

2. TABLE OF CONTENTS

Product features and specifications.....	2
Table of contents.....	3
Package components.....	4
Optional Accessories (sold separately).....	5
Product structure.....	6
Installation of Mirror Monitor.....	7
Touch screen functions.....	8
Other Mirror Functions.....	9
Settings.....	10
Video playback mode.....	11
Connecting to a computer.....	11
G-sensor sensitivity.....	11
Reversing guide lines.....	12
Formatting SD card.....	12
Infringement of copyright warning.....	12
Product specifications.....	13
Troubleshooting guide.....	14
Safety information & warnings.....	15
User support.....	16

3. PACKAGE COMPONENTS



XV9M
Mirror Monitor



Rear Camera



USB cable



Camera Lead
with Trigger Wire



12/24V charging adapter



Mounting screws & 3M adhesive
for butterfly camera

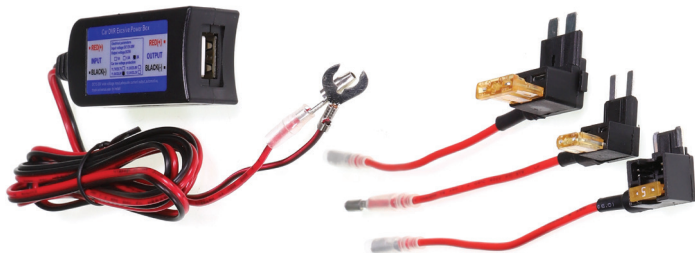


Mirror protector pads &
rubber mounting clips

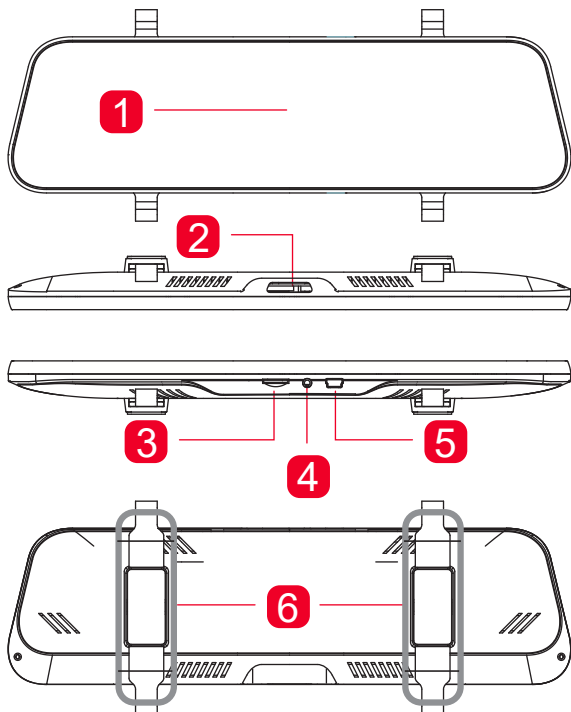
4. OPTIONAL ACCESSORIES (sold separately)

XVHWC – Hard Wire Kit

Allows the Monitor to be powered via the vehicle fusebox. Includes fuse taps for simple installation and also includes voltage cut off detection to prevent battery drain.



5. PRODUCT STRUCTURE

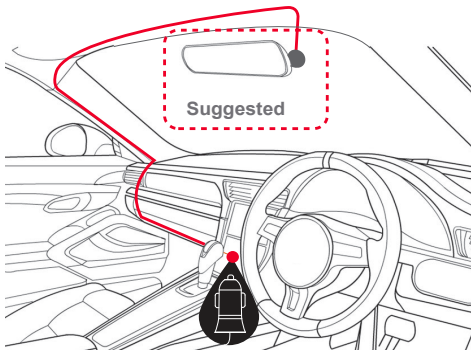


- 1) LCD touch screen
- 2) Power button
- 3) Micro SD card slot

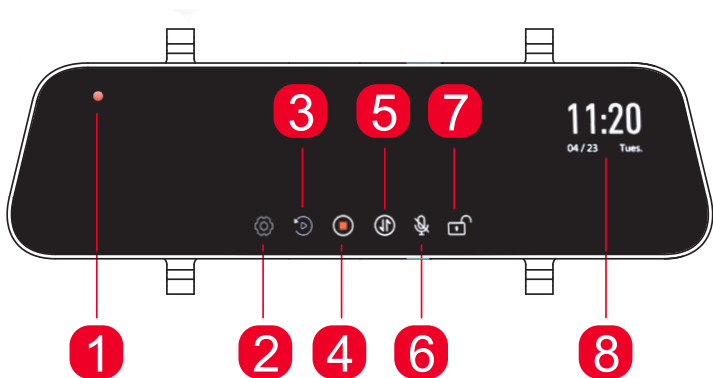
- 4) Rear camera input
- 5) Power input (Mini USB)
- 6) Mounting clip-on system

6. INSTALLATION OF THE MIRROR MONITOR

1. Clip on mirror design securely mounts on the existing rear view mirror in the vehicle by stretching the bands at the back. There are two positions based on thickness of existing mirror.
2. Insert Micro SD card into the Mirror Monitor
3. Insert power cable into the DC-in of the Mirror Monitor. Connect the DC charging end of the power cable into the 12-24V power socket of your vehicle. Hide cable as picture below.
4. Connect the rear camera to the input on the mirror. Test the camera is working correctly and orientation before running the cable and securing the camera mount on your vehicle.
5. Attach the red trigger wire to the reverse light of you vehicle to engage parking guide lines when vehicle is put into reverse gear.
6. Turn vehicles ignition on, and the Mirror Monitor and it will automatically start recording.
7. When recording the recording indicator LED will flash red.
8. For the Mirror Monitor to work it must receive power from the charging adapter. Once power is removed or turned off the Mirror Monitor will save the current file and turn off.



7. TOUCH SCREEN FUNCTIONS



1) Recording indicator: Flashes red when recording.

2) Settings: Press to access the settings menu, see details on page 10 (turn off recording function to access).

3) Playback: Press to access recorded video files (turn off recording function to access).

4) Stop/Start Recording: Press to start or stop the recording function.

5) Image Rotation: Press to rotate image (if recording, recorded image will not rotate)

6) Microphone On/Off: Press to turn audio recording on or off.

7) Lock / Unlock Recorded Files: Press to securely save a recorded file. Recording indicator will flash Yellow.

8) Date/Time: Displays the Date and Time.

8. OTHER MIRROR FUNCTIONS

Turn Device On/Off: Long press the power button to turn mirror ON/OFF.

Turn Off Display: Short press the power button while recording to turn off the display (recording will continue).

Display Brightness: Touch the screen and swipe left or right to change brightness. Brightness adjustment may be necessary in very bright or low light environments.

Display Viewing Area: In live view (streaming) or reversing mode, touch the screen and swipe up or down to change the viewing area (if recording, the recorded image will not change view).

9. SETTINGS

Press settings icon to enter video settings. Select function and select settings to make changes. Press arrow icon to exit the function.

Function	Description
Movie Mode	1080P/720P
Movie Clip Time	1/2/3 Min
Sound Record	On/Off
Mirror	On/Off
Clock Settings	Date/Time
Stamp	Date+Logo/Date/Logo/Off
Language	English/Russian/Chinese
Flicker	50/60 Hz
LCD Power Save	Off,5,10 Sec /1 Min (Screen display time)
PQ Mode	Soft/Standard/Bright
G-sensor	Off/High/Medium/Low
Volume	On/Off
Reset Setup	Yes/No (All settings will be deleted)
Format SD-Card	Yes/No (All data will be deleted)
FW Version	Firmware version

10. VIDEO PLAYBACK MODE

When not recording press the playback icon to select recorded and locked recorded video footage. Press on the file to view on screen. You can press icons on screen to lock/ unlock/ back/ forward/ pause and delete recorded video files. Press return arrow to exit to menu files. Press return arrow to exit playback.

11. CONNECTING TO A COMPUTER

You can remove the SD card from the Mirror Monitor and plug the card directly into your computer to access files. With the SD card inserted, and when connected to a computer. Two folders will appear in the storage device. Normal and Event for locked files.

12. G-SENSOR SENSITIVITY

This function activates in the case of a car accident by determining the gravitational acceleration ($1g = 9.8$ meters/second²). When this function activates the Dash Cam will automatically save a 1 minute video file and save it to the Event folder on the SD card. We recommend Low Sensitivity to avoid false triggers.

Note: With this function turned on it may fill up the SD card with locked video files. Re-format the SD card to create space. The device does NOT guarantee video recording of all accidents as built-in impact sensor may not be activated due to combination of user settings and the level of impact during the collision.

13. REVERSING GUIDE LINES

When triggered, the reversing guide lines only assist a driver with backing into a parking space or aligning with an object behind the vehicle. They do not measure distance. You should always get out of the vehicle and visually check the distance to aid the driver when using guide lines.

14. FORMATTING SD CARD

It is advisable to format the SD card when you first use the Mirror Monitor and also regularly if you have the setting G-sensor function on or create Locked files. This will fill up the card causing it to stop recording any footage. Micro SD cards need to be formatted in the Mirror Monitor to be recognised.

15. INFRINGEMENT OF COPYRIGHT WARNING

Please note that this product is for personal use only, the method of use shall not violate the goods, or infringe on domestic or international copyright laws. Recorded images are for personal use only, please note that in some cases to use this product to record performances, exhibitions or business activities may infringe the copyright or other legal rights and interests of others.

16. PRODUCT SPECIFICATIONS

Display	9.35" High-resolution LCD touch screen
Color	Black
Video	MOV
Resolution	HD 1920*1080 @ 25FPS
Frequency	50HZ/60HZ
CPU	Mstar8336
Rear Camera	Surface mount butterfly camera
Viewing Angle	110 Degree wide angle lens
Functions	G-Sensor, Loop recording
OSD Language	English/Russian/Chinese
Audio	Built-in Microphone and speaker
Storage	Supports Micro SD card Class 10, 128GB Max
Power	USB2.0 DC5V 2A
Battery	400mAh 3.7V Rechargeable battery
Car charger	DC input: 12-24V, output: 5V
Dimensions	72*18*260mm (H*W*L)

17. TROUBLESHOOTING GUIDE

If there are problems with the device, please refer to the following methods to resolve.

Cannot record video?

Please check whether there is enough space on the micro SD card or internal storage.



Stopping automatically while recording?

Due to the high amount of HD video data being recorded, please use a high-speed Micro SD card. To tell if you have the required high speed card, check if it has the 'Micro SDHC' logo on the SD card and 16GB class 10 or above is recommended. Make sure that your card is labeled Micro SDHC and not Micro SDXC as SDXC cards will not work with this Mirror Monitor.

Fuzzy/dirty image?

Please check if the lens is filled with dirt or fingerprints and clean carefully. Please clean the lens with cloth before shooting. Make sure to peel off the transparent protective sticker on the front of the Mirror Monitor's lens.

The Mirror Monitor is jammed or not responding?

Please reset the device in system settings

Micro SD card not recognised by Mirror Monitor?

Format card in the Mirror Monitor's menu setting's before use.

Note: To alleviate card problems make sure the SD Card used is a quality brand from a reputable source.

18. SAFETY INFORMATION & WARNINGS

Do not use the Mirror Monitor in damp working conditions; the Mirror Monitor is not waterproof.

□ Do not try opening the shell or trying to repair the Mirror Monitor by yourself. If the accessories for the Mirror Monitor have any problems, please take it to an authorised repair agent for repair.

Do not use a chemical substance, cleaning solvent or cleaner to clean the Mirror Monitor, please use a moist soft cloth if you would like to clean the Mirror Monitor.

Do not use the Mirror Monitor under conditions where dust is present.

□ Please pay attention to cleaning the lens surface, use a moist soft cloth to clean the lens before use, to avoid poor video footage.

Xview is NOT responsible for the loss of any recorded video during operation.

□ Although designed to withstand high impact of car collision, Xview does NOT guarantee recording of accidents where the impact may cause the device to be damaged.

19. USER SUPPORT

If you need assistance setting up or have an issue regarding the use of your Xview product contact Xview Customer Support. Australian Agent:

TEL: 03 – 8587 8898 FAX: 03 – 8587 8866

Mon-Fri 9am – 5pm AEST

Please retain this user guide for future reference.

If you would like to download a digital copy of this manual, or other Xview manuals/software, please visit the xviewdrive.com website and click on ‘Support’. Choose your product model number for more information or alternatively click the “Manuals & Downloads” tab.

This manual is considered correct at time of printing but is subject to change. For the latest manuals and updates refer to the website.

xviewdrive.com.au 